

Cypress™ GS2 Gas Stove



Featuring GreenSmart™ 2 Technology

Cypress™ GreenSmart™ 2 Gas Stove

A Fireview from Anywhere in the Room

The Cypress gas stove by Avalon features sleek, clean lines and a timeless presentation of fire. The gentle radius edges of the Cypress accentuate its clean shape and compliment a wide range of architectural styles. The open, three-sided glass design allows you to view the fire from almost any angle in the room. The Cypress comes in a black paint finish and offers three transitional interior looks to choose from. The standard overhead Accent Light beautifully highlights the fire display, even without the flame on. Three-sided fireview. Glass Area 749 sq. in. Front glass: 16-3/16" H x 26-1/4" W. Side glass: 15 3/16" H x 10-9/16" W.

Designed to Efficiently Heat Your Home

The Cypress is designed to heat up to 2,000 square feet. With an input of 40,000 BTUs, the GreenSmart™ 2 gas control system delivers exceptional energy efficiency and heat control. With a turndown rate of up to 70% on NG and 82% on LP, the GreenSmart™ 2 system provides precise control over the amount of heat you use.

Radiant and Convective Heating

The Cypress provides both radiant and convective heating. Radiant heat comes off the stove in straight lines, giving a gentle warmth and comfort to everything in the room. Convective heat works like a forced-air furnace, naturally circulating air throughout your home. The addition of the 165 CFM blower makes an excellent option for the stove by increasing the flow of air around the firebox, making it quicker and easier to move heat from the room to the rest of the house.

SEE VIDEO
of this stove burning



Decorative Interior Options



Shown with Traditional Log Set with realistic six piece wood-like logs and glowing embers.



Driftwood Fire Art and crushed glass floor. Choose from reflective Platinum, Bronze and Cobalt Blue crushed glass colors.



Fyre-Stones Rock Set with crushed glass floor. Choose from reflective Platinum, Bronze and Cobalt Blue crushed glass. Shown with optional black enamel fireback.

Maximum BTU Input/Hr. 40,000 (NG & LP)	Minimum BTU Input/Hr. 11,900 (NG) 7,400 (LP)	Heating Capacity* Up to 2,000 sq. ft. with fan	Steady State Efficiency on High** Up to 79.05% NG & Up to 81.79 LP	Canadian P4.1 Efficiency Up to 70.37% NG Up to 71.95% LP
--	--	--	--	--

* Gas appliance performance can be affected by negative pressure in the home and by prevailing atmospheric conditions. Contact local building or fire officials about restrictions and installation requirements in your area. Heating capacity shown with blower on. ** Your results may vary depending on your vent configuration.

Revolutionary GreenSmart™ 2 System

The Cypress features the latest in energy-efficient gas technology, the GreenSmart™ 2 gas burner system. The GreenSmart™ 2 system heats your home while saving on energy usage and lowering your heating bills. The real power of the GreenSmart™ 2 system is its entire collection of components, controls and technology features which include:

- Dancing-Fyre™ burner with your choice of three transitional fire displays - Traditional Logs, Driftwood Fire Art™ or Fyre-Stone Rock Kit.
- Easy heat/flame adjustment with a huge turndown ratio of up to 70%.
- Comfort Control™ allows you to turn off the rear burner while maintaining the flames when less heat is desired.
- LED-lit control panel automatically lights up when you lower the access panel.
- Built-in battery backup automatically turns the stove on during power outages.
- 2015 ANSI approved low visibility safety screen over all glass areas.
- Choice of pilot ignition modes - Choose GreenSmart™ 2 IPI setting to save money or Continuous Pilot for colder climates where a heated chimney is needed to maintain the draft to ensure proper operation and lower condensation build-up on the glass.
- The standard accent light adds a glowing light above the logs and against the beautiful optional black enamel back whether your fire is on or off. This adjustable light is perfect as a night light or as a soft indirect accent light for the room.
- Optional 165 CFM Convection Blower is designed to enhance the transfer of the natural radiant heat and move the convective heat from the stove more efficiently into your home.

Wall Thermostat & Remote Options

The Cypress can be installed and operated with a wall thermostat, basic remote control, or the Hand-Held or Wall Mounted GreenSmart™ 2 Remote Control. This easy-to-use remote gives you the ability to control virtually every function of your stove. It even allows you to run your stove in MANUAL or THERMOSTAT modes, along with energy saving “SMART” mode that modulates the flame and heat to accommodate your desired temperature.

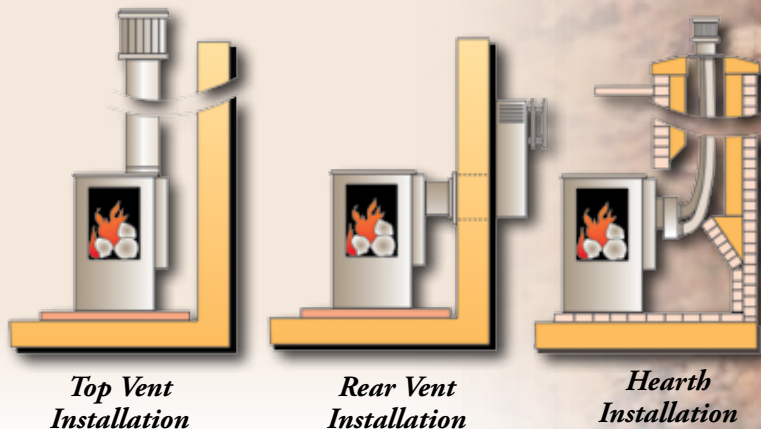


Flexible Installation Choices

The Cypress features direct vent technology that allows it to be vented vertically or horizontally, adding location flexibility and in many cases lowering installation costs. You can even install the Cypress of a hearth in front of an existing fireplace and vent it up the chimney.

Avalon offers a minimum rear vent kit for through the wall installations and a 30' flex vent kit for hearth installations.

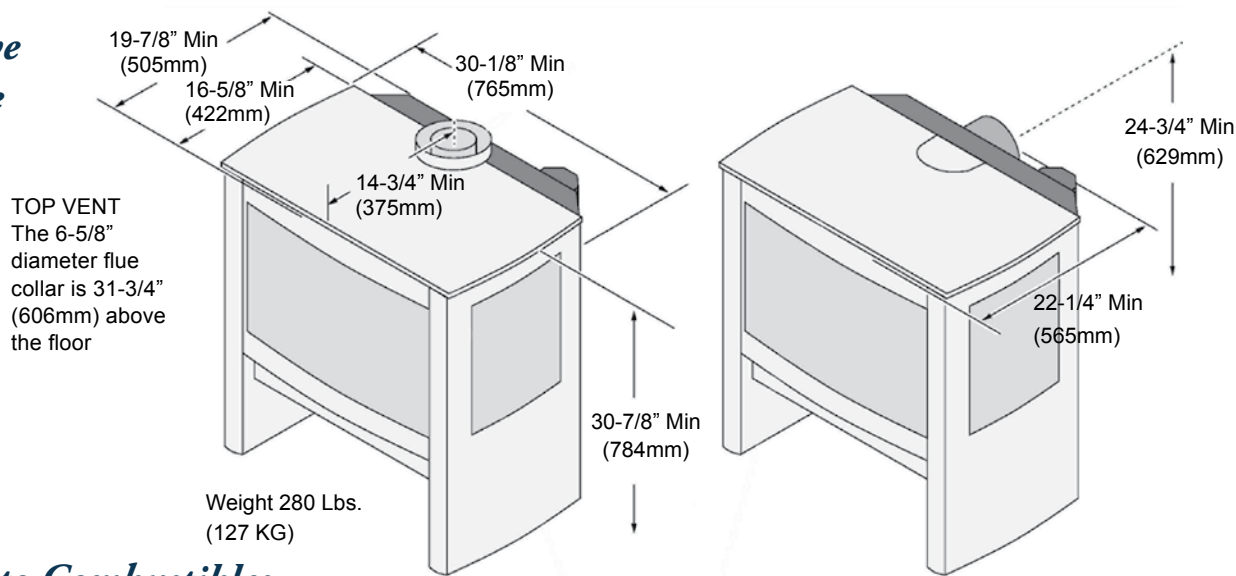
The Cypress does not require any type of hearth pad in many installations, including wood flooring. This stove is approved for close clearances to the back wall without an expensive heat shield. This saves valuable floor space and eliminates the requirement for expensive non-combustible wall protection.



All Avalon freestyles are proudly made in the U.S.A.

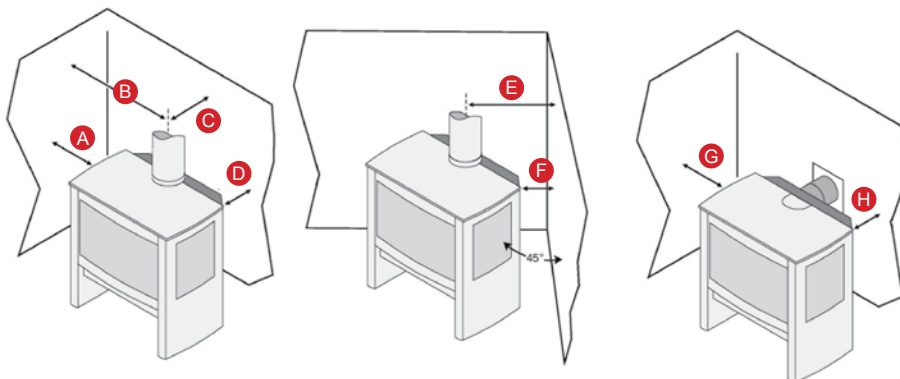
Cypress™ Gas Stove Installation Guide

Always refer to the Owner's Manual for installation requirements!



Stove Clearances to Combustibles

Straight Wall Installation *Corner Installation* *Rear Vent Installation*



A = Side Wall To Unit	10" (254mm)
B = Side Wall To Flue Center	25-1/8" (638mm)
C = Back Wall To Flue Center	6-7/8" (175mm)
D = Back Wall To Unit	5" (127mm)
E = Corner To Flue Center	16-1/2" (420mm)
F = Corner To Unit	5" (127mm)
G = Side Wall To Unit	10" (254mm)
H = Back Wall To Unit	8-1/4" (210mm)

Listings and IAS (ICBO) Approval This appliance was listed by Intertek Test Labs to ANSI Z21.88 CSA 2.33 - Report # 100162727PRT-001. This appliance was listed by IAS. Approved to Massachusetts Board of State Examiners of Plumbers and Gas Fitters.

Mobile Home Requirements When the stove is installed in a mobile home, it must be bolted to the floor and the appliance grounded (use the optional blower with a grounded circuit or other suitable grounding method - current ANSI/NFPA 70 or CSA C22.1).

Venting:

TOP VENT:

Use 6-5/8" (168mm) Simpson Dura-Vent Direct Vent Pro (or GS). Always use the high-wind cap # 46DVA-VCH or 46DVA-CH.

REAR VENT: Use 8" (204mm) Simpson Dura-Vent Direct Vent Pro (or GS) with one of the following:

WITH NO VENT RISE: Use T. I. Minimum Vent Kit D #96200317.

WITH VENT RISE: Use T. I. Rear Vent Conversion (Part # 94400998). Always use the high wind cap # 58DVA-VCH or 58DVA-CH.

Floor Protection Requirements

When the stove is installed directly on carpeting, vinyl or other combustible material other than wood flooring or a high pressure laminate wood floor, the stove must be installed on a metal or wood protection panel extending the full width and depth of the heater (Suggested Minimum Pad Size: 32" wide by 20" deep).

Your Authorized Avalon Dealer Is Located At:


Firestyles for Life
www.avalonfirestyle.com


Stove, Fireplace, & Irrigation Specialists
505.983.5264

The Firebird
1808 Espinacitas Street
Santa Fe, NM 87505
thefirebird.com

Photos and illustrations are for descriptive purposes only. We reserve the right to improve or change our products without prior notification. Dancing-Fyre™ and all other trademarks belong to Travis Industries, Inc. Consult the Owner's Manual for complete installation requirements.