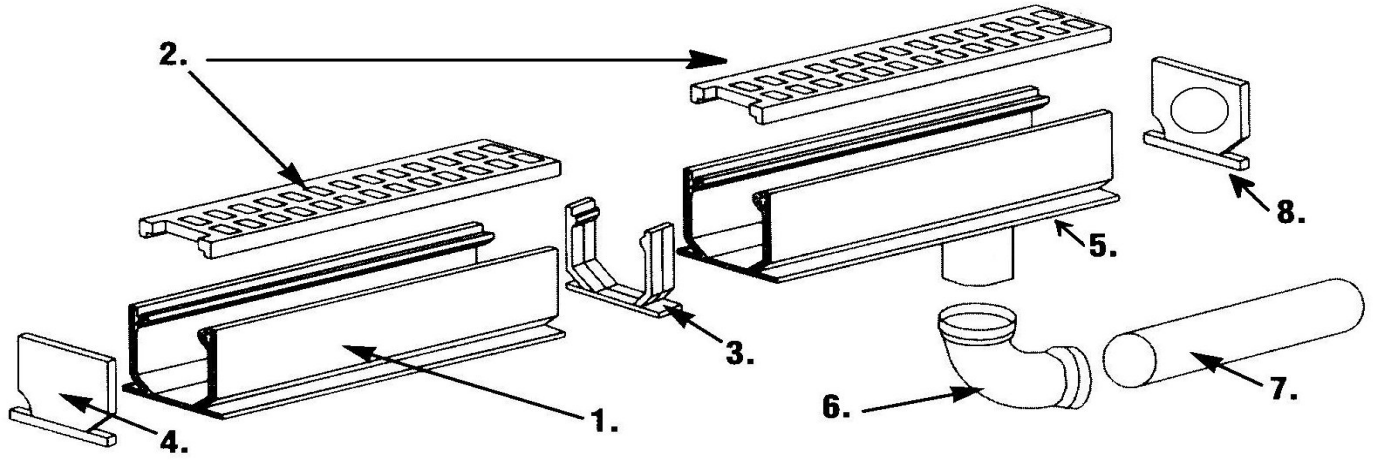
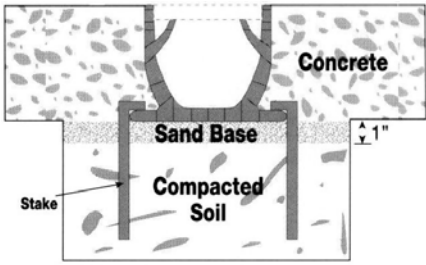


Quick Guide

Channel Drains



1.	Channel Drain Section - various sizes/styles/lengths available	5.	Channel Drain Section w/strainer & outlet
2.	Grate Section - various colors/styles available	6.	Typical Elbow
3.	Coupling	7.	Typical Pipe
4.	End Cap	8.	End Outlet



Typical Concrete
Cross Section
&
Installation



Pre-Sloped Channel
Drain & Available
Curved Grate

