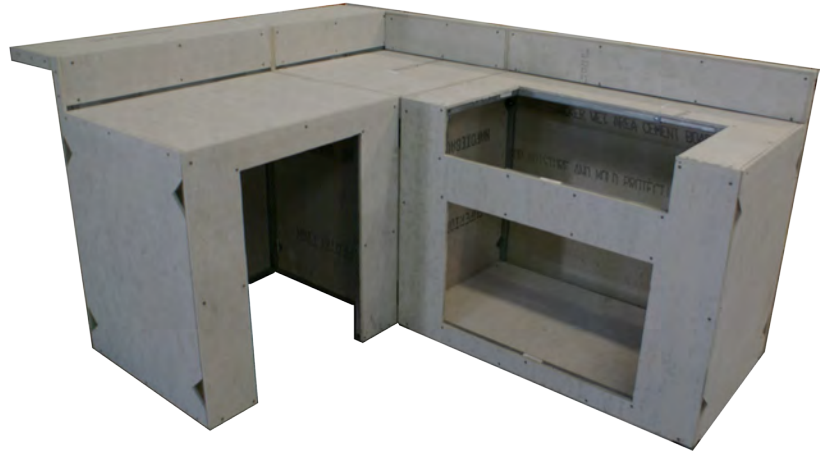


Ready-To-Finish Outdoor Kitchen System

The Ready-To-Finish Outdoor Kitchen System™ is the fastest, most efficient, and most profitable method for building outdoor kitchens. The modular cabinets will allow you to create completely customized designs and finish them with any veneer and countertop material you choose, and the adjustable frames will accommodate any grill and any accessory.



Because the cabinets assemble in a few hours, not days, building outdoor kitchens has never been easier. If you can operate a screw gun, then you can use the Ready-To-Finish Outdoor Kitchen System™. **You will save time and make more money on every project!**

Features & Benefits

Lightweight

Compared to concrete block construction, our system is as light as a feather. The RTF Outdoor Kitchen System™ weighs about 50 lbs. per linear ft

Customizable

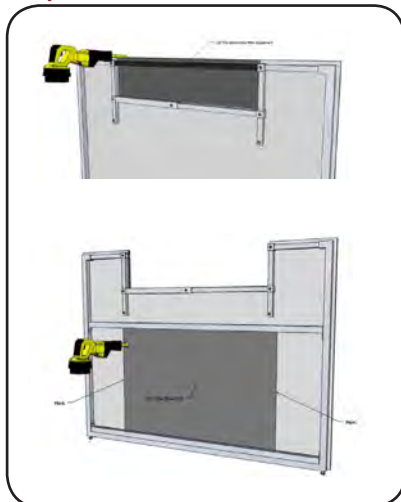
From the shape and size of the outdoor kitchen, to the veneer and countertops, even the appliances, The RTF Outdoor Kitchen System™ is designed to be completely customizable and universal - allowing you to design to your customers specifications.

Fast, Efficient, & Profitable

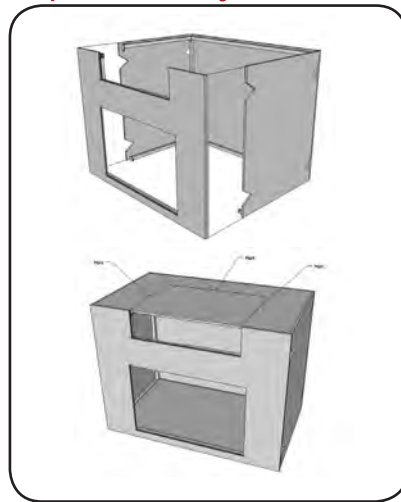
A screw gun, level, and a 4 in. grinder is all it takes to assemble and configure the RTF Outdoor Kitchen System™ cabinets. That means there's no mess to clean up, no lawn to repair, and no fence to put back up. It also means you'll make more money per job than with concrete block or any other system on the market!

Fast, Easy Assembly

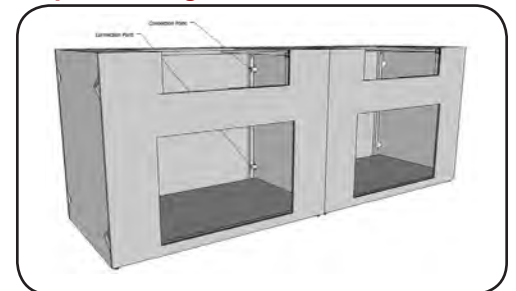
Step 1 - Cutouts



Step 2 - Assembly

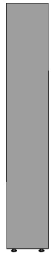


Step 3 - Configuration

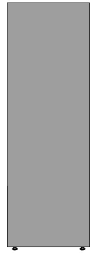


rtf systems™
Ready-To-Finish Outdoor Kitchen Systems
rtfsystems.net

Standard Cabinet Selections



RTF6-29-FC
6 in. W x 36 in. H



RTF12-29-FC
12 in. W x 36 in. H



RTF18-29-AC
18 in. W x 36 in. H



RTF24-29-AC
24 in. W x 36 in. H



RTF30-29-AC
30 in. W x 36 in. H



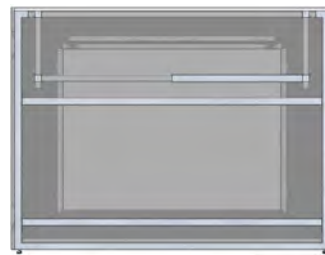
RTF36-29-AC
36 in. W x 36 in. H



RTF36-29-RC
36 in. W x 36 in. H



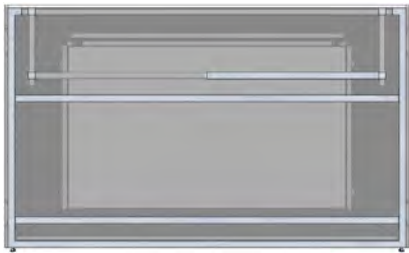
RTF42-29-AC
42 in. W x 36 in. H



RTF48-29-AC
48 in. W x 36 in. H



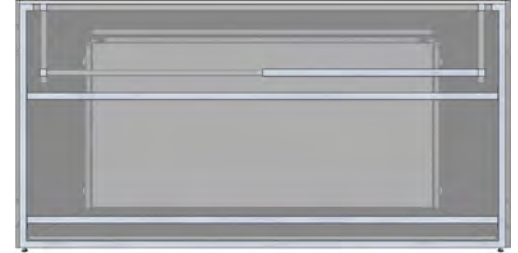
RTF54-29-AC
54 in. W x 36 in. H



RTF60-29-AC
60 in. W x 36 in. H



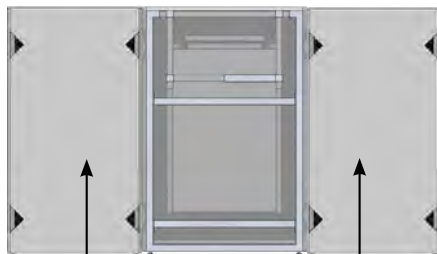
RTF66-29-AC
66 in. W x 36 in. H



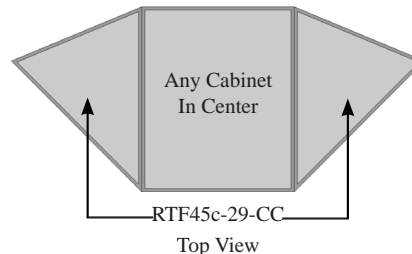
RTF72-29-AC
72 in. W x 36 in. H



RTF90c-29-CC
29 in. W x 36 in. H



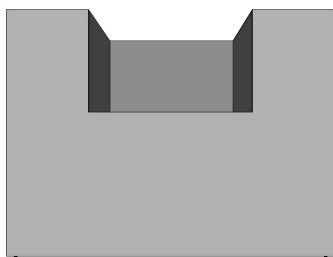
RTF45c-29-CC
(any cabinet) W x 36 in. H



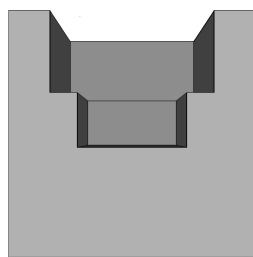
Any Cabinet
In Center

RTF45c-29-CC

Top View



RTF48-29-KC (Kamado Cabinet)
48 in. W x 36 in. H



RTF36-29-PB (Power Burner Cabinet)
36 in. W x 36 in. H



RTF(cabinet width)-bar or backsplash
(cabinet width) in. W x 6 in. H



(Side View) Bar
14 in. D (12 in. Overhang)



(Side View) Backsplash
2 in. D