

stûv

THE ESSENTIAL FIRE



505.983.5264

The Firebird
1808 Espinacitas Street
Santa Fe, NM 87505

thefirebird.com

Stûv Stories +wood fires

Innovative
techniques for a
designer look that
really works

stuvamerica.com

Stûv Stories

Welcome to the world of Stûv! Our products provide inspiration to lay out and rearrange your interior. The story that they tell is straightforward and warm, simple and efficient. A story where appearance is functional and where objects blend into the architecture. Quality and perfection are the watchwords at Stûv. To improve is to simplify. This means refining design. It also means constant innovation to achieve perfect harmony between pleasure and respect for the environment. Stûv the essential fire.



P. 4 +Stûv 16



P. 24 +Stûv 21



P. 46 +Stûv 30

clean
lines
pure energy

+ Stûv Stories



Stûv Stories +Stûv 16-family

Innovative products
and a wide range of
heating solutions

Clean lines that showcase the flames to perfection make the Stûv 16 family totally unique. Highly sophisticated combustion techniques guarantee extremely efficient performance. The endless possibilities that they offer ensure a perfect solution for every home. Stûv fireplaces are easy to install. Welcome home! Stûv 16... Innovative and out of the ordinary.

Stûv Stories +Stûv 16-family... A large family that comes in a variety of sizes!

The products are available in three widths:

- + wide model (Stûv 16/78) 31" wide
- + medium model (Stûv 16/68) 27" wide
- + narrow model (Stûv 16/58) 23" wide



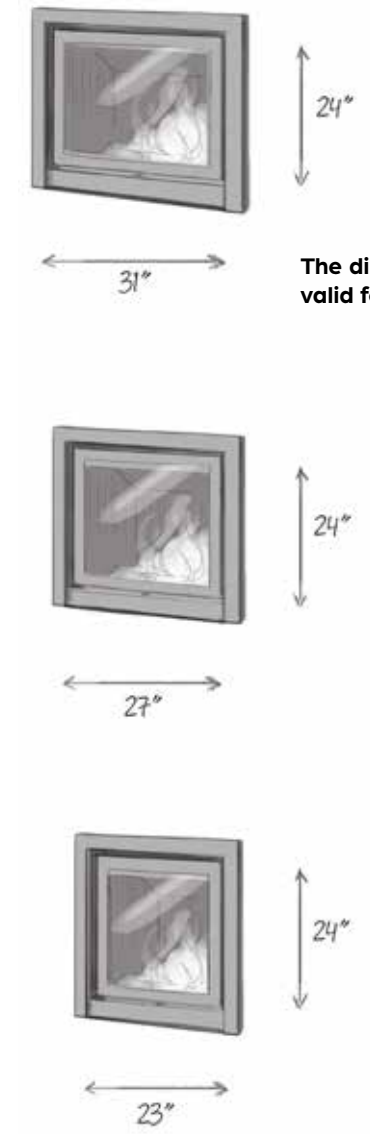
Stûv 16-cube



Stûv 16-H



Stûv 16-in



The dimensions are valid for all models

Stûv 16-Z

Stûv Stories **+Stûv 16-cube**

- + EPA certified – low particle emission rate
- + comes in three sizes
- + hinged door
- + can be connected to outside air
- + can be placed on a Stûv base or a custom-made base

When performance perfects the flames



Model shown: Stûv 1668-cube with Stuv Grey bases



Functional,
sophisticated
and elegant

Stûv Stories +Stûv 16 base



- + modular
- + storage drawer
- + compatible with the external air connection
- + movable log storage
- + wide range of colours



Stûv Stories +Stûv 16-H

Fire in its purest
form and logs always
within reach

- + EPA certified – low particle emission rate
- + comes in three sizes
- + hinged door
- + can be connected to outside air
- + model with log storage

Stûv Stories +Stûv 16-in

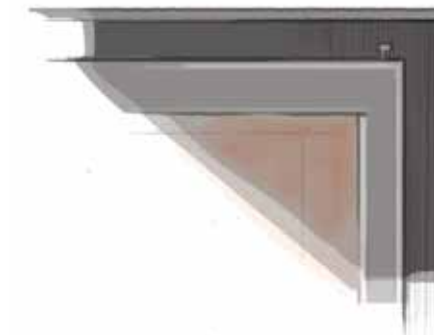
- + EPA certified – low particle emission rate
- + comes in three sizes
- + hinged door
- + can be connected to outside air
- + insert model

Stûv Stories +Stûv 16-in

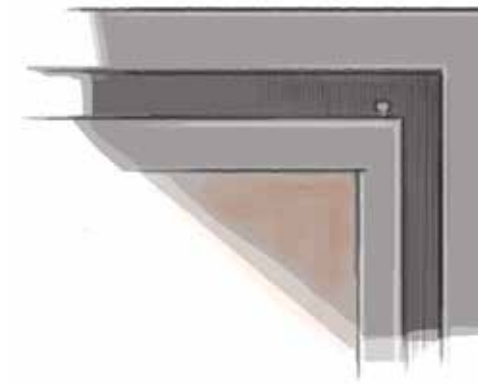
In the mood for an XXL fire? The Stûv 16-in offers a panoramic view of the flames. Ambiance and satisfaction guaranteed. Its innovative combustion system and exceptional output (over 70%) make it, the perfect solution for your main or occasional heating needs. Designed to fit an existing hearth, the Stûv 16-in comes in three sizes. Every home needs a Stûv!



Model shown: Stûv 1658-in



Thin edge frame offsets the thickness of the finishing material

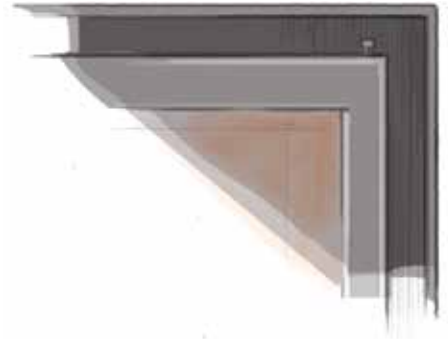


Picture type frame conceals the edges of the alcove

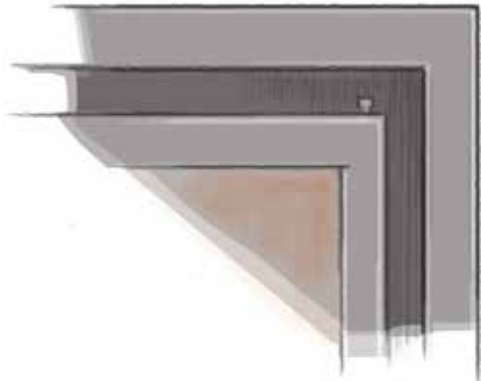
Zero compromise!

Stûv Stories +Stûv 16-Z

- + EPA certified - low particle emission rate
- + comes in three sizes
- + hinged door
- + can be connected to outside air
- + zero clearance fireplace



Thin edge frame for a simple more streamlined and minimalist design



Picture type frame for distinctive framing

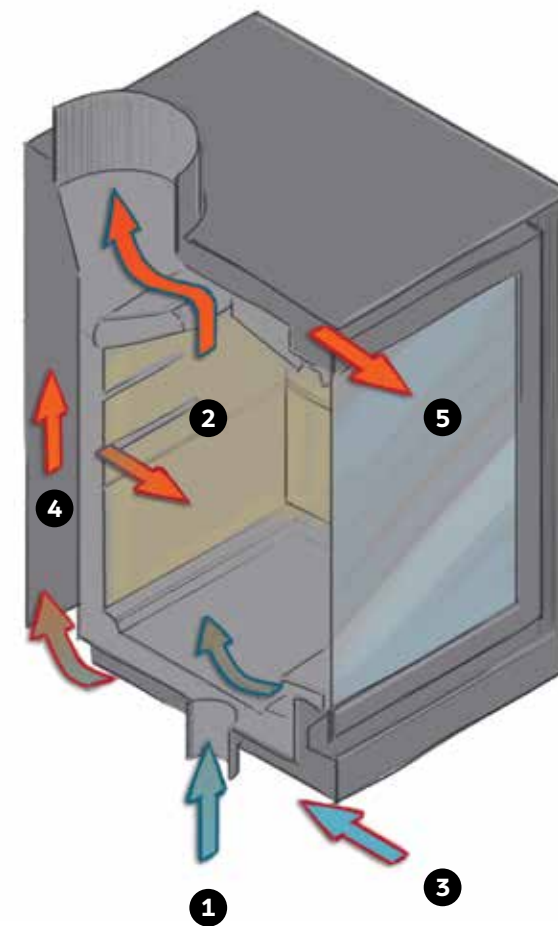


Model shown: Stûv 1668-Z

A combination of
performance, ingenuity
and design

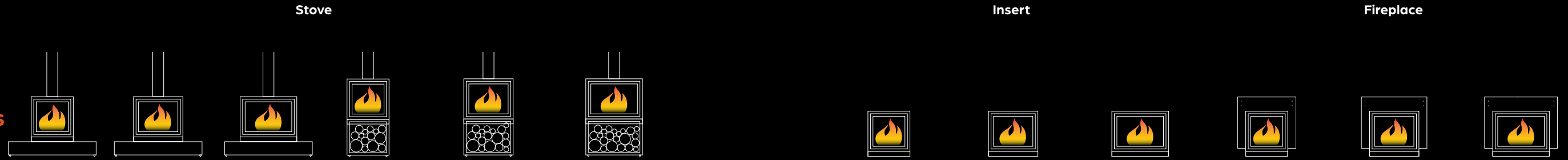


COMBUSTION TECHNIQUE AND AIR CIRCULATION STÛV 16



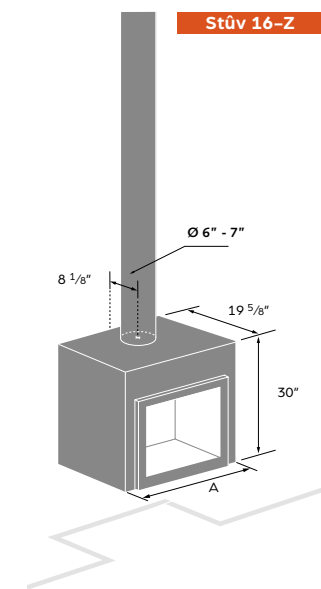
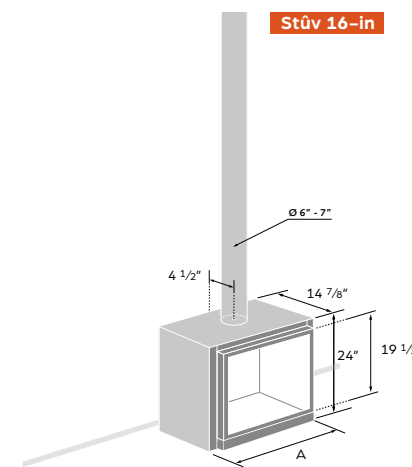
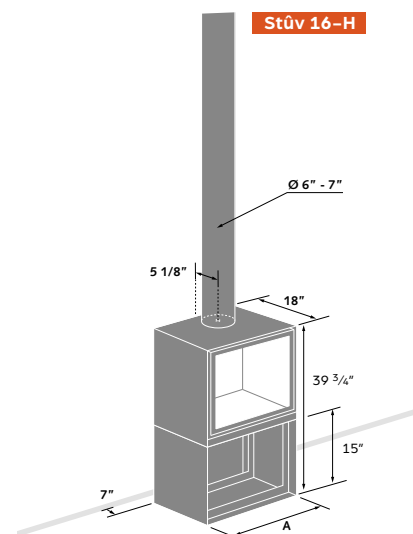
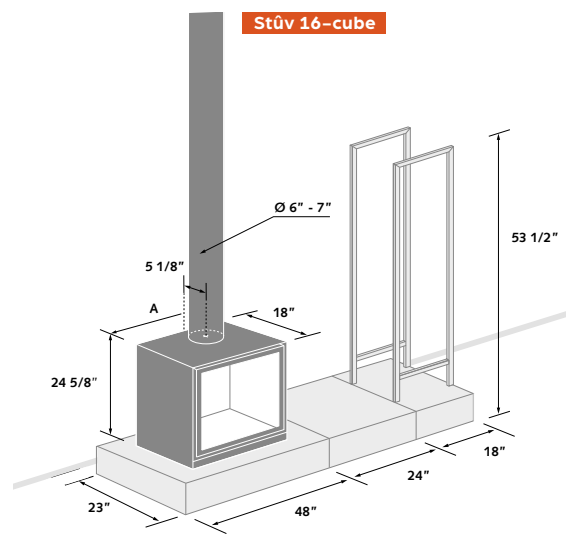
- 1 Combustion air.
Illustration with direct air intake
under the stove.
- 2 Combustion.
The air intake, combustion
chamber and smoke exhaust
form an airtight system.
- 3 The air is taken from the room
and heated by the stove.
- 4 The hot air is exchanged with the
convection air which flows along
the combustion chamber.
- 5 The hot air is circulated back into
the room by natural convection.

Stûv 16 technical specifications



	16/58-cube	16/68-cube	16/78-cube	16/58-H	16/68-H	16/78-H		16/58-in	16/68-in	16/78-in	16/58-Z	16/68-Z	16/78-Z
Weight*	250 lb.	272 lb.	300 lb.	332 lb.	362 lb.	396 lb.		180 lb.	205 lb.	228 lb.	232 lb.	261 lb.	288 lb.
Maximum length of logs	17"	21"	25"	17"	21"	25"		17"	21"	25"	17"	21"	25"
Efficiency	≥70%	≥67%	≥67%	≥70%	≥67%	≥67%		≥70%	≥67%	≥67%	≥70%	≥67%	≥67%
Maximum power (BTU)	48.000 BTU	56.000 BTU	72.000 BTU	48.000 BTU	56.000 BTU	72.000 BTU		48.000 BTU	56.000 BTU	72.000 BTU	48.000 BTU	56.000 BTU	72.000 BTU
Fire box size	1.62 pi ³	2 pi ³	2.33 pi ³	1.62 pi ³	2 pi ³	2.33 pi ³		1.62 pi ³	2 pi ³	2.33 pi ³	1.62 pi ³	2 pi ³	2.33 pi ³
Chimney type	6" or 7" by the standard: UL 103-HT or ULC S-629							6" or 7" by the standard: UL 1777: ULC S-635 or UL S-640			6" or 7" by the standard: ULC S-629; UL 103HT or ULC S-610		
North American standards	EPA NSPS, UL-1482-7, ULC-S-627							EPA NSPS, UL STC 1482-7, ULC STD S-628			EPA NSPS, UL 127-11, ULC S-610-87		
Particle emission	1.4 g/h	2.3 g/h	3.1 g/h	1.4 g/h	2.3 g/h	3.1 g/h		1.4 g/h	2.3 g/h	3.1 g/h	1.4 g/h	2.3 g/h	3.1 g/h
Width (A)	22 7/8"	26 3/4"	30 3/4"	22 7/8"	26 3/4"	30 3/4"		22 7/8"	26 3/4"	30 3/4"	29 3/16"	33 3/16"	37 1/16"
Glass width	17 5/8"	21 5/8"	25 1/2"	17 5/8"	21 5/8"	25 1/2"		17 5/8"	21 5/8"	25 1/2"	17 5/8"	21 5/8"	25 1/2"
Glass height	16 1/2"			16 1/2"				16 1/2"			16 1/2"		

1658: EPA NSPS Phase 2
* Approximate weight





the perfect
combination of
simplicity
and ambiance

 Stûv Stories

Stûv Stories +Stûv 21-family

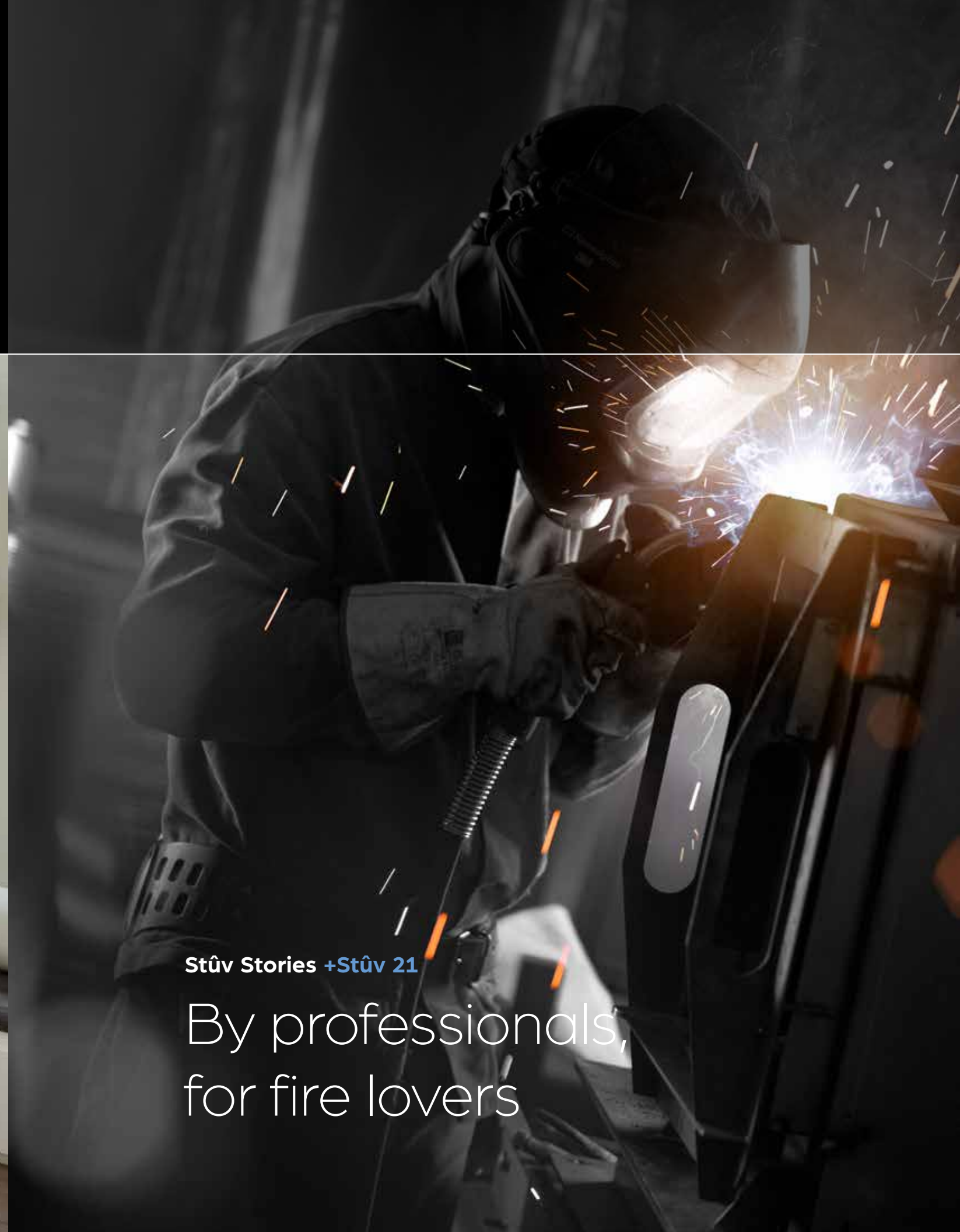
Each model can be used
both open and closed

The Stûv 21 range is unique. With its subtle and streamlined design, it focuses on the purity and beauty of the fire. Sliding glass doors allow the fireplace to be partially or completely open. The fire can be open or closed. The Stûv 21 is available in a single-face or double-face model and in a variety of sizes. The frames, front facades and claddings complement and showcase the fire.



Stûv Stories +Stûv 21

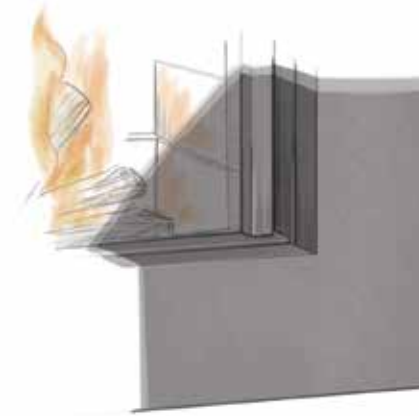
- + retractable glass
- + great view of the fire
- + clean and simple design
- + can be connected to outside air



Stûv Stories +Stûv 21

By professionals,
for fire lovers

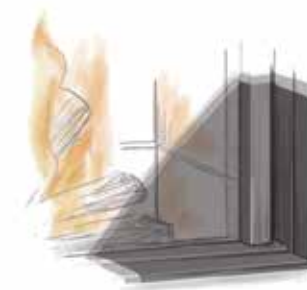
Choose the right frame



Stûv SF4: large frame available in Stuv Grey, white or rust finishing



Picture type frame in Stuv Grey steel



Thin edge frame in Stuv Grey steel

Stûv Stories +Stûv 21-85

A stylish fire...



Model shown: Stûv 21-85 with SF2 white facade

Simplicity, it blends perfectly into any interior

Stûv Stories +Stûv 21-95



Stûv Stories +Stûv 21-105

Integrating fire into
architecture



Stûv Stories +Stûv 21-105 SF8



- + front panel made of steel
- + perfect harmony with the fire
- + available custom-made

Stûv Stories +Stûv 21-85DF



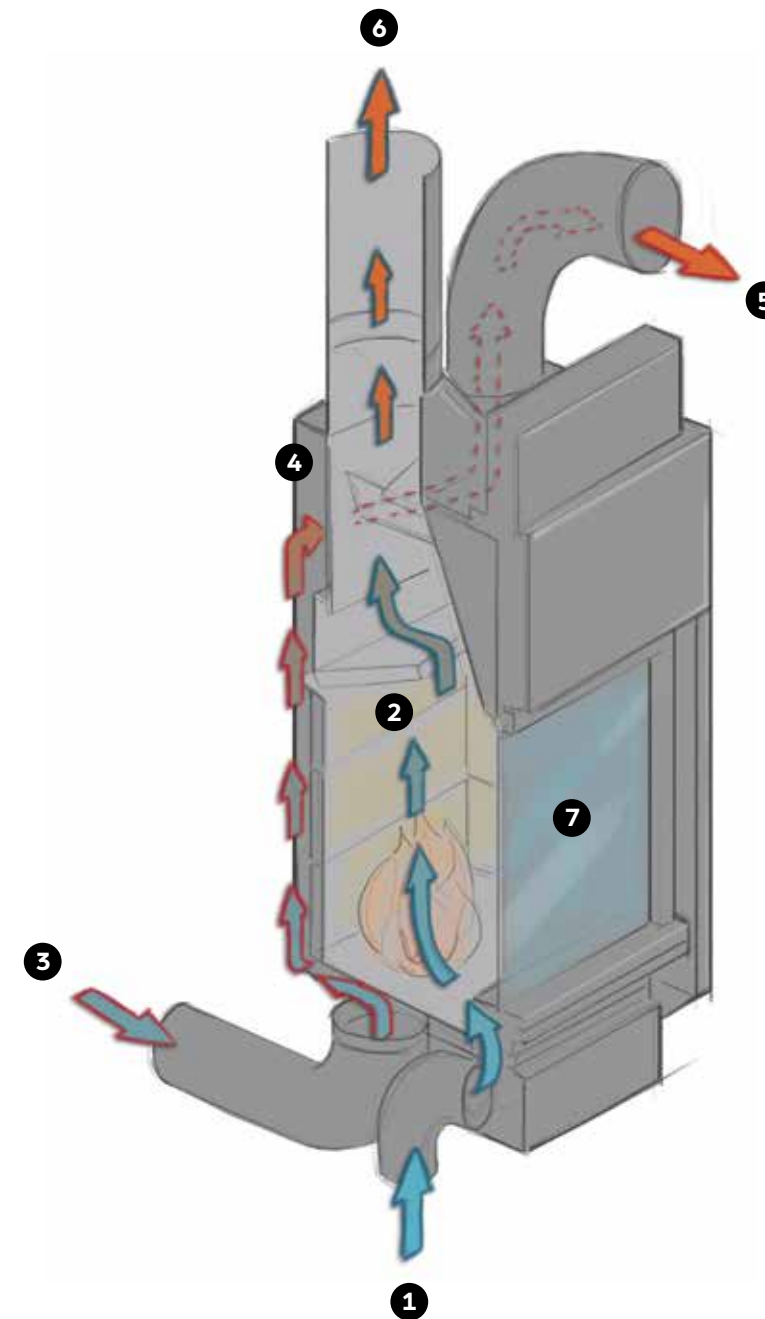
Stûv Stories +Stûv 21-95DF



Stûv Stories +Stûv 21-125DF



COMBUSTION TECHNIQUE AND AIR CIRCULATION STÛV 21



- 1 Combustion air.
Illustration with direct air intake under the stove.
- 2 Combustion.
The air intake, combustion chamber and smoke exhaust form an airtight system.
- 3 The air is taken from the room and heated by the stove.
- 4 The hot air is exchanged with the convection air which flows along the combustion chamber.
- 5 Heated air is spread throughout the room thanks to natural convection.
- 6 Burnt gases are released via the flue. Illustration with vertical discharge.
- 7 The scavenging air expels the flue gasses away from the glass, so you can enjoy the flickering flames at all times.

Stûv Stories +Ready-to-fit fireplaces

- + as easy to install as a stove
- + rust, Stuv Grey or white finish
- + direct inlet of exterior air
- + integrated log storage
- + visual effect of a built-in fireplace

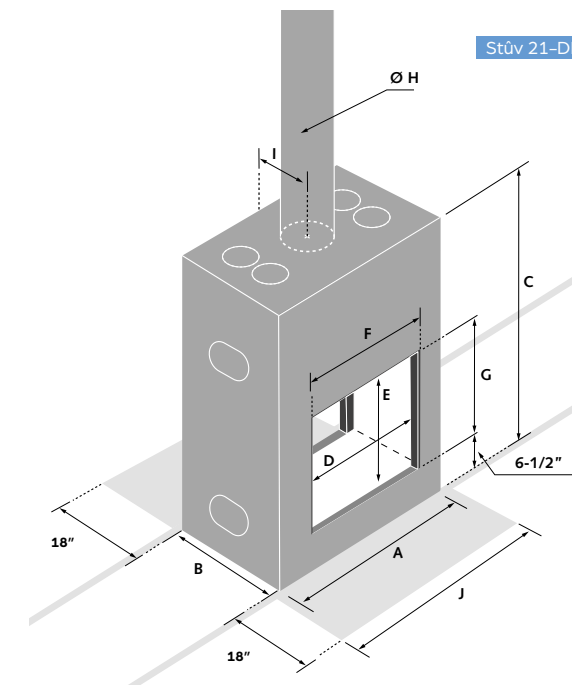
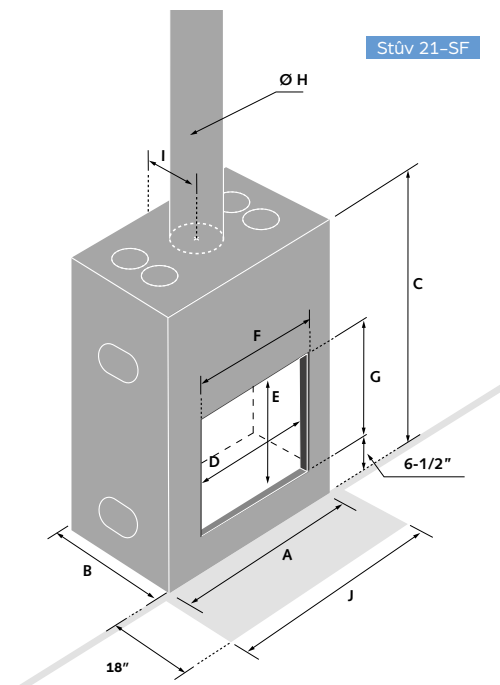


Stûv 21

technical specifications



	21/85 SF	21/95 SF	21/105 SF	21/125 SF	21/135 SF	21/85 DF	21/95 DF	21/125 DF
Weight*	665 lb.	820 lb.	688 lb.	892 lb.	820 lb.	752 lb.	855 lb.	960 lb.
Ø combustion air requirements	4-6"	6"	4-6"	6"	6"	6"	6"	6"
Fire screen	option	option	option	option	option	option	option	option
Maximum length of logs	24"	28"	32"	40"	44"	24"	28"	40"
Maximum power (BTU)	48.000 BTU	55.000 BTU	48.000 BTU	60.000 BTU	57.000 BTU	48.000 BTU	55.000 BTU	60.000 BTU
Fire Box size	4.77 pi³	6.58 pi³	5.28 pi³	8.38 pi³	6.28 pi³	6.47 pi³	8.4 pi³	10.61 pi³
Efficiency	77%	<70 %	77 %	<70 %	<70 %	72 %	<70 %	<70 %
North American standards	EPA exempt, UL-127, ULC-S610-M93			EPA exempt, UL-127, ULC-S610-M93				
(A) width	39 11/16"	43 5/8"	47 9/16"	55 7/16"	59 3/8"	39 11/16"	43 5/8"	55 7/16"
(B) depth	25 3/4"	27 7/8"	24 1/4"	26 7/8"	24 1/2"	29 1/2"	29 1/2"	29 1/2"
(C) height	59"	63 3/8"	56 1/16"	59"	56 1/16"	58 3/4"	63 1/4"	58 3/4"
(D) glass door width	26 3/8"	30 5/16"	34 1/4"	42 1/8"	46 1/16"	26 3/8"	30 5/16"	42 1/8"
(E) glass door height	21 3/16"	24 3/16"	15 3/4"	21 3/16"	15 7/8"	21 3/16"	24 3/16"	21 3/16"
(F) opening width	30 3/4"	34 11/16"	38 11/16"	46 9/16"	50 7/16"	30 3/4"	34 11/16"	46 1/2"
(G) opening height	23 11/16"	26 7/8"	18 7/16"	23 3/4"	18 7/16"	23 3/4"	26 7/8"	23 3/4"
(H) chimney diameter UL-103HT, ULC S629	8"	** 10"	8"	** 10"	** 10"	** 10"	** 12"	** 12"
(I) chimney position	10 1/2"	11 13/16"	11 1/16"	11 3/4"	11 3/16"	14 3/4"	14 3/4"	14 3/4"
(J) floor plate width	42 3/8"	46 5/16"	50 1/4"	58 1/8"	62 1/16"	42 3/8"	46 5/16"	58 1/8"



* Approximate weight
**ICC exclusively for Canada

the beauty of functional design

+ Stûv Stories

Stûv Stories +Stûv 30 family

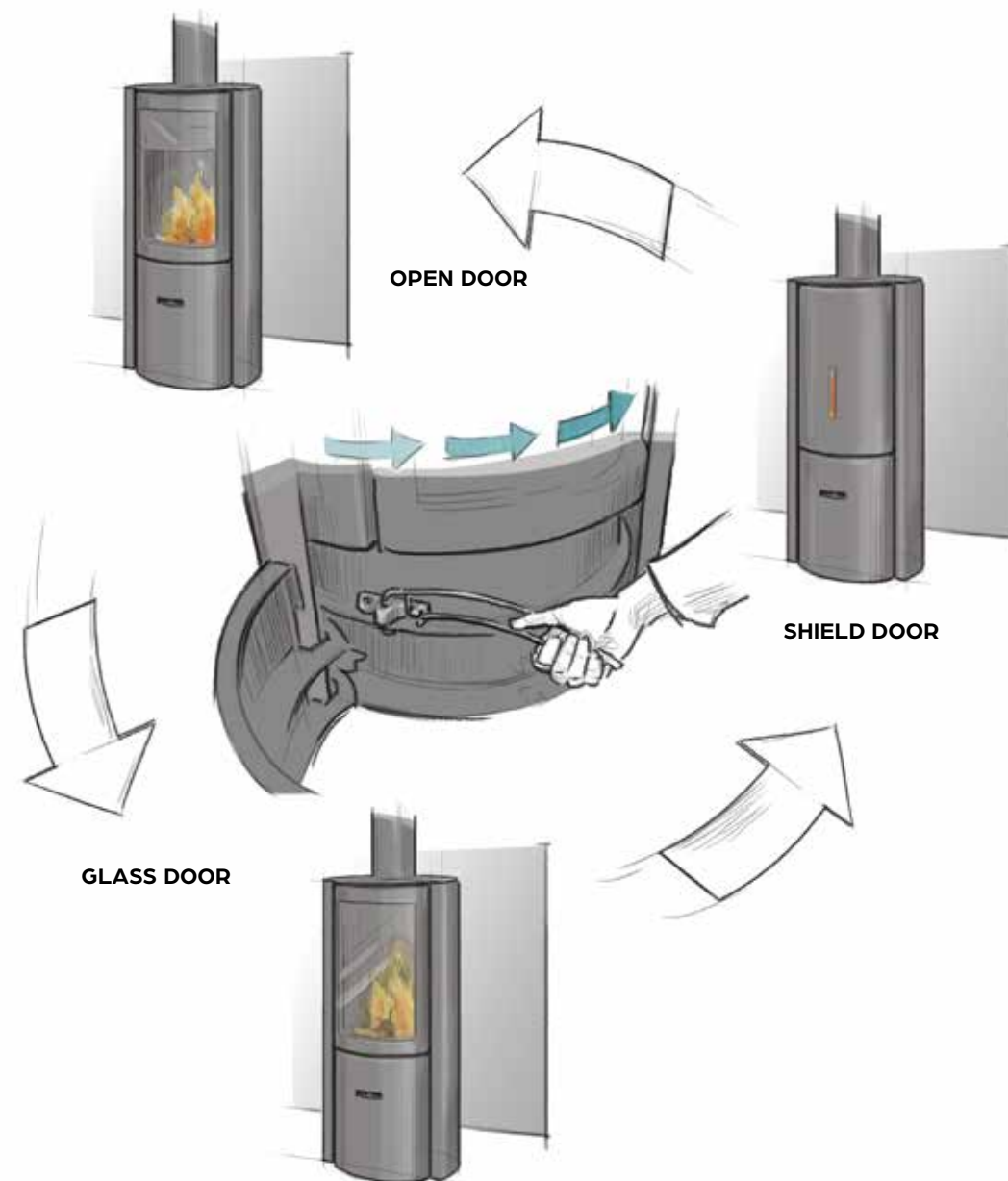
Versatility,
adaptability
subtlety



There is always a Stûv 30 which is a perfect match for what you're looking for. As a bonus, you get an unrestricted view of the fire and high performance, thanks to an advanced combustion system

Three doors, three moods

Changing modes takes only a few seconds: simply rotate the drum of your Stûv 30 until the required door is located in front of the stove's opening. The glass door offers a magnificent view of the flames, ensuring safety and efficiency. The shield door, giving you a small glimpse of the fire while having an even heat distribution. Open-fire mode lets you enjoy get the full benefit of the crackling flames, the smell of the wood ... and even a barbecue!



Stûv Stories +Stûv 30 – The luxury of choice

- + glass door: watch the flames in complete safety
- + shield door: optimise performance
- + open door: enjoy all the authenticity of the fire



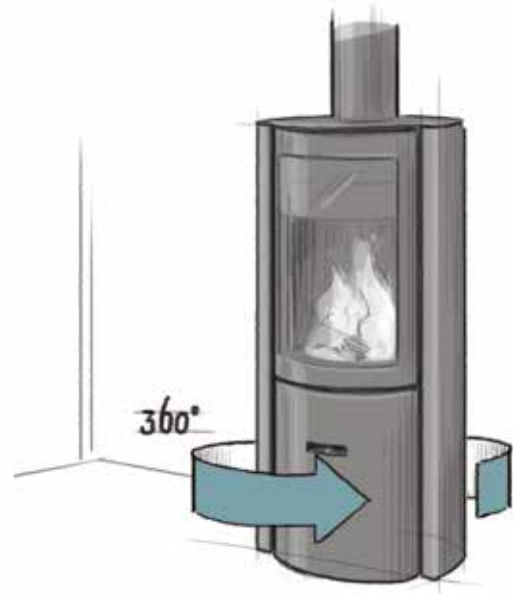
GLASS DOOR

SHIELD DOOR

OPEN DOOR

Enjoy 360° of benefits

In order to make the most of the enveloping heat and the breathtaking view of the flames, the Stûv 30 has an invisible swivel base. For example, you can direct the stove toward the living room, and then towards the dining room.



Stûv Stories **+30 compact, 30 compact H, Stûv 30**

Technical expertise
and attention to detail

Stûv Stories +Stûv 30-compact

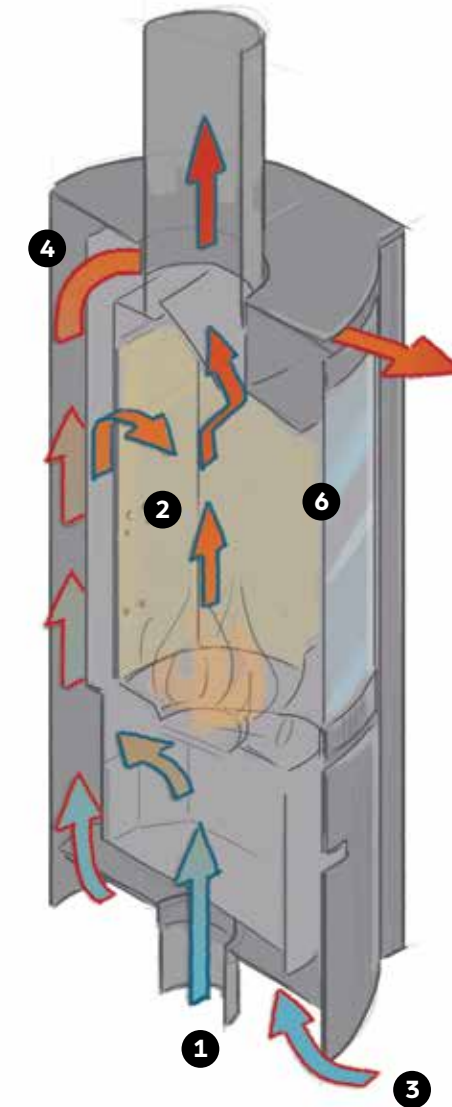
Revolutionary...
three functions
and intelligent
management of
combustion air

- + EPA certified - low particle emission rate
- + three modes of operation
- + can be connected to outside air
- + integrated revolving base
- + optional: floor plate



Stûv Stories +Stûv 30-compact

A new era,
innovative
solutions



COMBUSTION TECHNIQUE AND AIR CIRCULATION STÛV 30-COMPACT

- 1** Combustion air.
Illustration with direct air intake under the stove. The outside air intake can also be located at the rear of the stove.
- 2** Combustion.
The air intake, combustion chamber and smoke exhaust form an airtight system.
- 3** The air is taken from the room and heated by the stove.
- 4** The hot air is exchanged with the convection air which flows along the combustion chamber.
- 5** The hot air is circulated in the room by natural convection.
- 6** The scavenging air expels the flue gasses away from the glass, so you can enjoy the flickering flames at all times.



Stûv Stories +Stûv 30-compact H

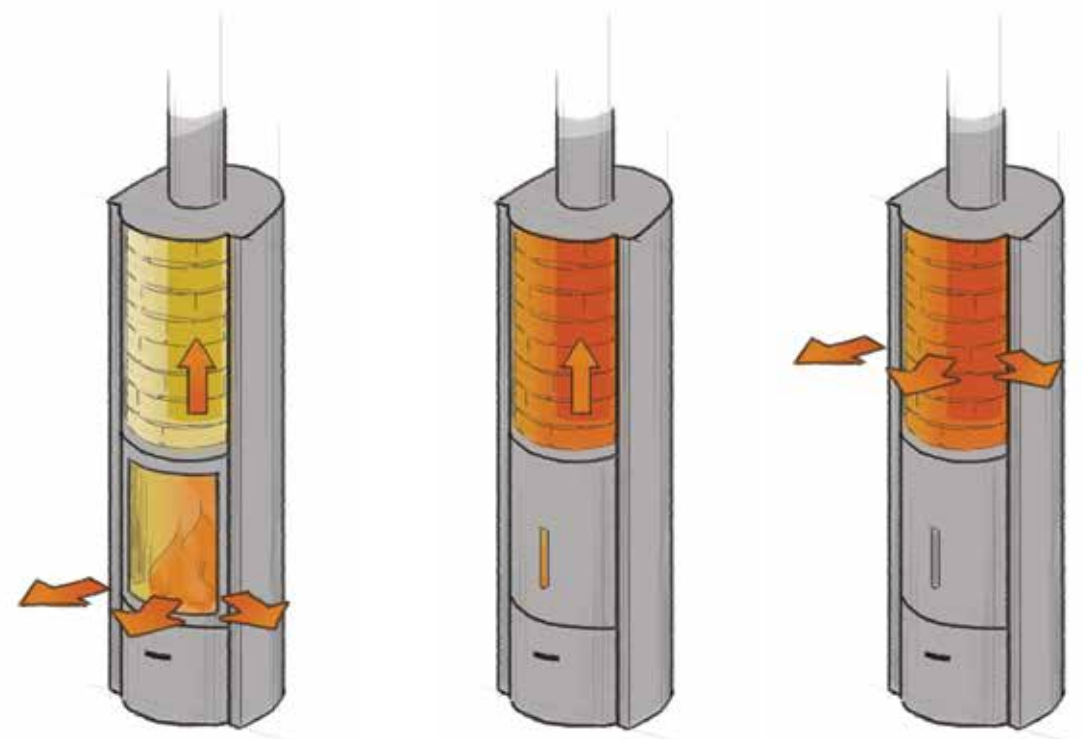
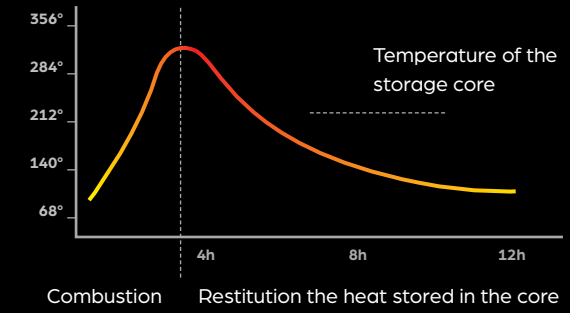
- + EPA certified - low particle emission rate
- + three modes of operation
- + can be connected to outside air
- + integrated revolving base
- + optional: floor plate
- + optional accumulation of heat system

The highest form of heat accumulation

The Stûv 30-compact H fits perfectly into the Stûv 30 line. Although it is equipped with the unique swivel system from the Stûv 30 family, the 30 compact-H stands out for its ability to retain heat efficiently and resourcefully. Your Stûv can be equipped with a storage core that stores a part of heat. Once the fire is extinguished, the stored energy is continuing to radiate for several hours, prolonging the feeling of warmth and well-being. This Stûv, with its exceptional performance, is also suitable for small houses.

Stûv Stories +Stûv 30-compact H with heat storage

The glass beckons you to admire the entrancing spectacle of the flames. Without glass, the open fire lets you enjoy the crackling of the fire which gives off a pleasant warmth. Finally, with the closed door, you get gentle heat throughout the house. It's not at all complicated to change usage mode: simply rotate the door of your choice in front of the stove opening.



Lighting

Most of the heat is used to heat up the room while some is stored in the accumulator.

Accumulation

Closed-door mode prevents the diffusion of heat through the glass and channels energy towards the accumulator.

Restitution of the heat

Gradual restitution of the accumulated heat takes place after the fire dies out.



Stûv Stories +Stûv 30

- + three modes of operation
- + can be connected to outside air
- + standard revolving base
- + optional: floor plate

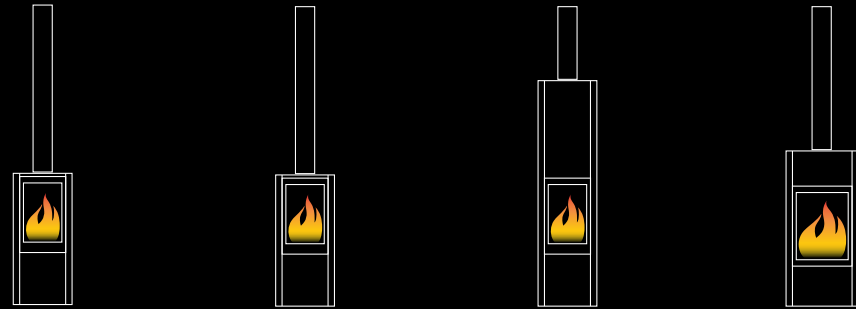
More heat,
more innovation,
more ways to use it

Timeless and revolutionary all at once

The Stûv 30 was the very first stove to have three modes of use. Even today, it remains a revolutionary innovation with its three doors which revolve according to your wishes.

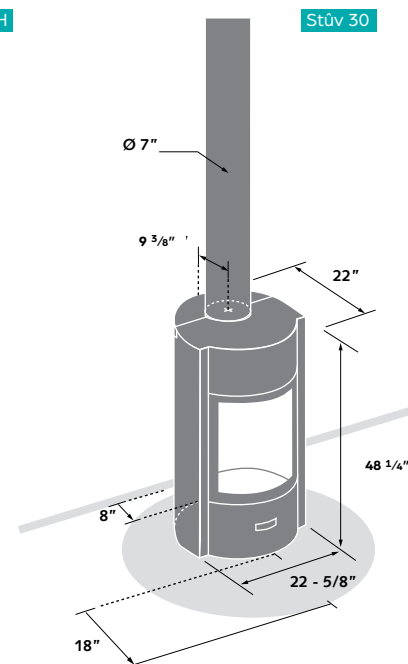
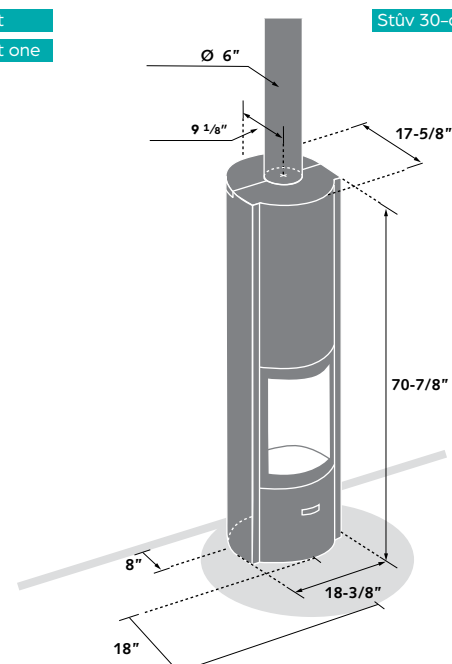
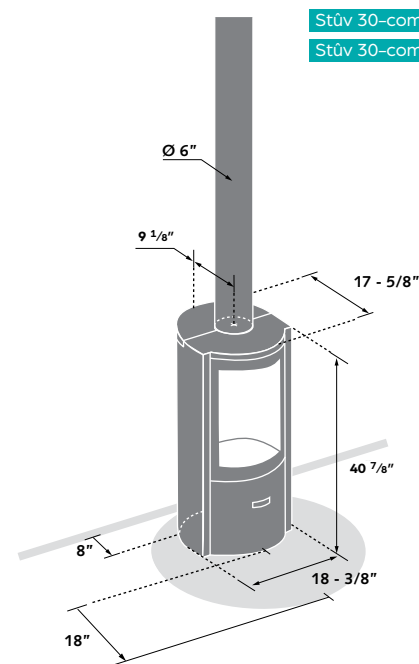


Stûv 30 technical specifications



	30-compact ONE	30-compact	30-compact H	30**
Weight* (+accumulating stones)	248 lb.	284 lb.	340 lb. (+330 lb.)	490 lb.
Maximum power (BTU)	31 000 BTU	31 000 BTU	31 000 BTU	41 000 BTU
Length of logs in vertical position	16"	16"	16"	20"
Length of logs in horizontal position	10"	10"	10"	13"
Fire box size	1.26 pi ³	1.26 pi ³	1.26 pi ³	2.4 pi ³
Air intake diameter	4"	4"	4"	4"
Efficiency	74%	74%	74%	-
Barbecue kit	option	option	option	option
Fire screen	option	option	option	option
Revolving base	standard	standard	standard	standard
3 modes of operation	glass door only	standard	standard	standard
Top smoke outlet	standard	standard	standard	standard
Particle emission	1.82 (g/h)			-
North American standards	EPA Phase II, UL-1482-97, ULC-S627-00			EPA exempt, UL-1482-97, ULC-S627-00

* Approximate weight
** Not available in the United States



Stûv Stories +Stûv mobile log rack



- + mobilobox: everything is close at hand (matches, maintenance products, barbecue kit, kindling, etc.)
- + practical log rack, with simple and sleek lines: an essential accessory for all Stûv stoves. 2 models available:
13 3/8" x 15 3/4" x 40 1/2" 15 1/2" x 20 1/2" x 50 3/4"

Stûv Stories +Stûv barbecue

Would you like to feel like you do in the summer all the year round? Now it's possible! Cooking food is healthier with the Stûv barbecue, as it is placed in front of the flames and not above the embers. Kebabs, sausages or fish is cooked in this way by radiation and not likely to get burnt by the drops of grease which flare up when they come in contact with burning charcoal. Installing the grill on the stove is child's play and, so that nothing spoils your pleasure, the chimney draught sucks away all the smells!



Constantly striving to improve...

Stûv invests heavily in research and development both in its own laboratory and through partnerships with specialists in the field of combustion. Every detail is important in optimizing the performance of the fireplace. Stûv appliances meet the highest environmental standards. We focus on ergonomics and simplicity at all stages – installation, use, and maintenance – so that everyone can use their Stûv exactly how they want to. This is why we provide detailed installation instructions, select our sales network and organize training sessions for our retail and installation partners.

The Stûv warrantee

- + Stûv fireplaces are renowned for their design and performance. They are also solid, reliable and durable.
- + The fireplaces and their components are made in Europe with the utmost care. A well-maintained Stûv fireplace lasts a lifetime.
- + This is why Stûv offers the users of its products a 5-year warranty on the body of the fireplace, excluding wearing parts (see warrantee conditions).

What do you need to do to be covered by this warrantee?

Complete the warrantee form that you will find at the end of the installation manual and return it to your authorized dealer or go to:

<http://stuvamerica.com/en/customer-service/warranty-registration/>



Stûv wood fires

Stûv gas fires

+ The essential fire

stûv fireplaces are designed and manufactured by:

Stûv sa - Belgique
stuv.com

In North America:

Stûv America inc.
34, Boulevard de l'Aéroport
Bromont QC J2L 1S6 - Canada
T 514 396 9463 - F 514 528 9538 - toll free 1 866 487 7888
info@stuvamerica.com - stuvamerica.com

June 2018

Find us on:



stûv