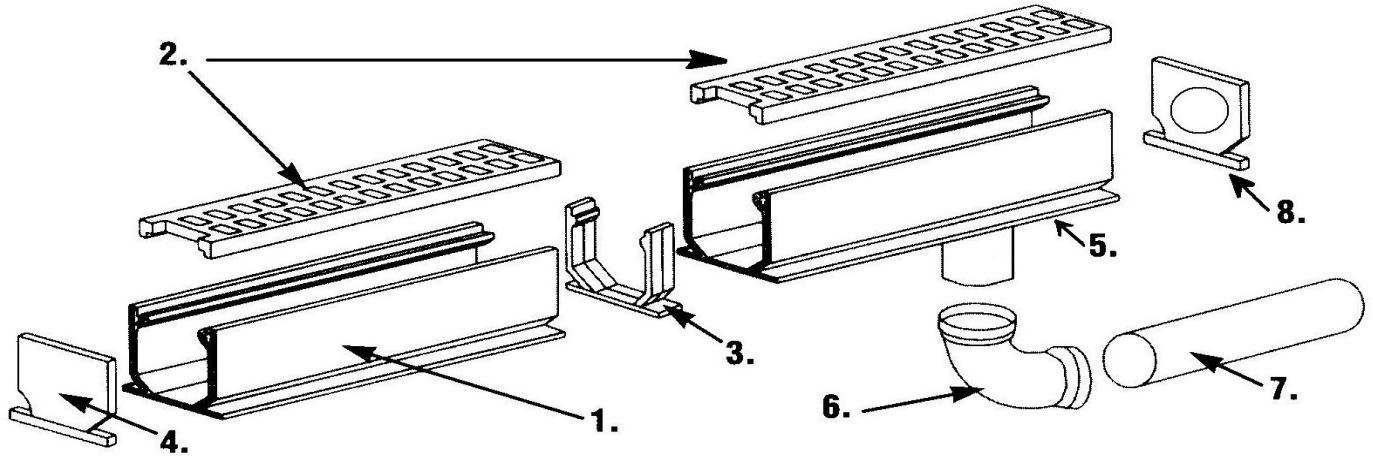
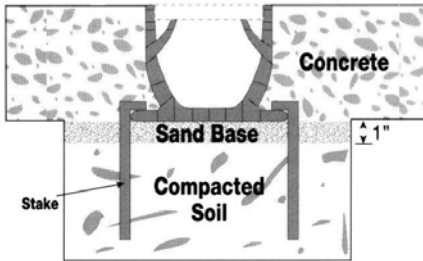


**Quick Guide**

**Channel Drains**

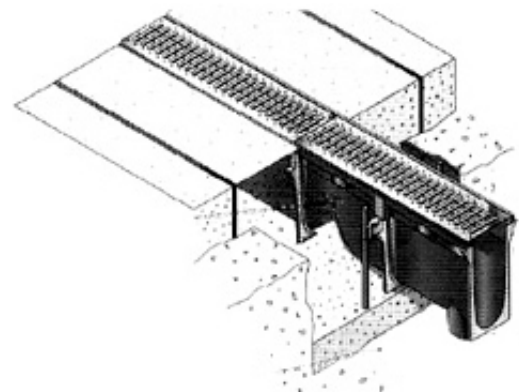


1.	Channel Drain Section - various sizes/styles/lengths available	5.	Channel Drain Section w/strainer & outlet
2.	Grate Section - various colors/styles available	6.	Typical Elbow
3.	Coupling	7.	Typical Pipe
4.	End Cap	8.	End Outlet



Typical Concrete  
Cross Section  
&  
Installation

Pre-Sloped Channel  
Drain & Available  
Curved Grate



# Water Wise 2020

505.983.5264  
1808 Espinacitas  
thefirebird.com



Stove, Fireplace, & Irrigation Specialists



**Authorized Distributor For These & Other Fine Mfrs.**

ADS	DIG Corp	JDJ Solutions	Netafim	Senninger Irrigation
Amiad	Dura Plastic	King Innovation	Nibco	Seymour Midwest
Aqualine	Febco	Lasco	Norwesco	Snyder
Aspen Earth	Galcon	Legend	Oatey	Southwest Piping
Bushman	GCI	MacLean	Olson	Spears
Champion	Green King	Maxi-Jet	Orbit	Tempo
Conbraco	HydroGarden	Merrill	Paige Electric	Toro Agricultural
Corona	Hunter	Munro	Permaloc	Vu Flow
Dawn	Irritrol	Murray	Rainbird	Watts Regulator
Desert Plastic	Jain Irrigation	NDS	Rain Harvest	Weathermatic

SANTA FE'S IRRIGATION SPECIALISTS Since 1982

IA Certified Irrigation Design & Irrigation Auditor on Staff



Santa Fe  
Chamber of Commerce



SANTA FE  
GREEN CHAMBER OF COMMERCE  
POWER UP YOUR BUSINESS



American Rainwater Catchment  
Systems Association

